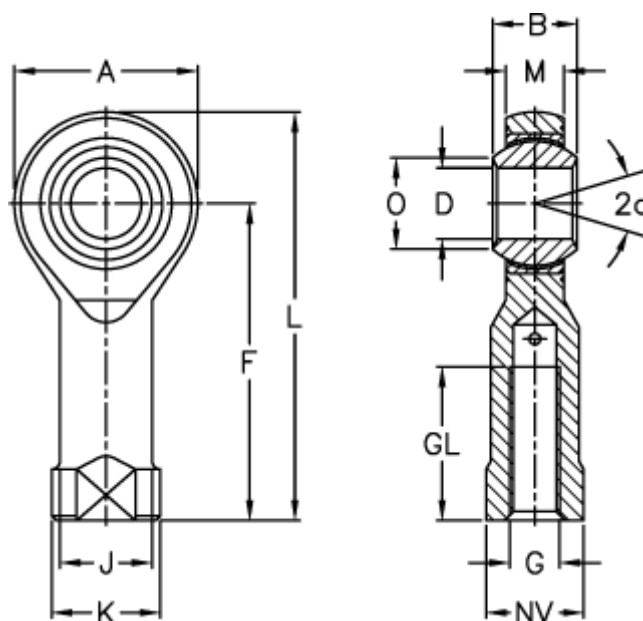


Article number: 03013016

Description: Fluro Rod End GIRSW 16
Housing stainless steel

Measures



| | | | | |
|---------------------|--------|---------------------|--------|------------------|
| A | = 42 | J | = 22 | Weight (g) = 230 |
| a (degrees) | = 15 | K | = 27 | |
| B | = 21 | L | = 85 | |
| D | = 16 | M | = 15 | |
| Dynamic load C (kN) | = 52.5 | NV | = 22 | |
| F | = 64 | O | = 19.3 | |
| G | = M16 | Permissible rpm | = 230 | |
| GL | = 28 | Static load C0 (kN) | = 60.5 | |